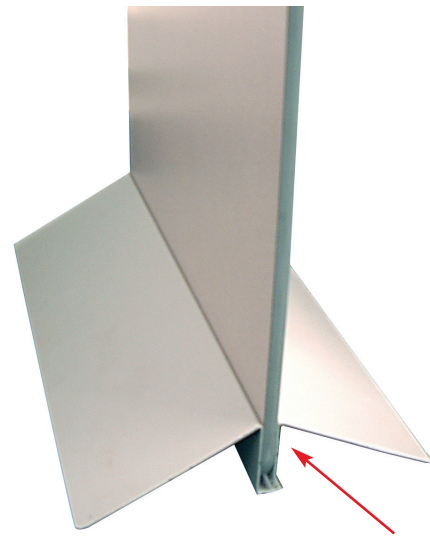


Simple cost effective rigid banner for indoor or outdoor use.



features & benefits

- Designed to support a variety of rigid substrates from 10 to 40mm thick*
 - Durable and stable
 - Available in black or silver
 - Available in a range of widths from 300mm to 1500mm
- * 18mm MDF recommended



NB 85mm of the banner is not visible

hardware specifications

Assembled Dimensions (mm):
90 (h) x 600 (w) x 370 (d) approx
(based upon 600mm unit)

Weight (not including banner):
5.5kg approx (600mm unit)

Material:
Epoxy polyester powdercoated steel

graphic specifications

Recommended maximum graphic height:
1800mm high using 18mm thick MDF.

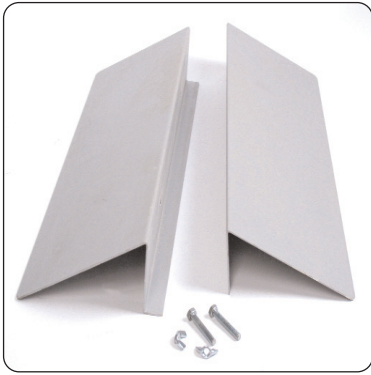
Recommended banner substrate:
18mm thick MDF

85mm of the banner is not visible
See diagram on page 2 for hole positioning

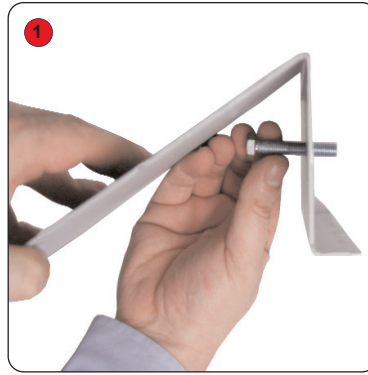
additional info

Note:
Suitability tests should be undertaken for banner substrates other than 18mm MDF (height, width and depth) for each sized unit

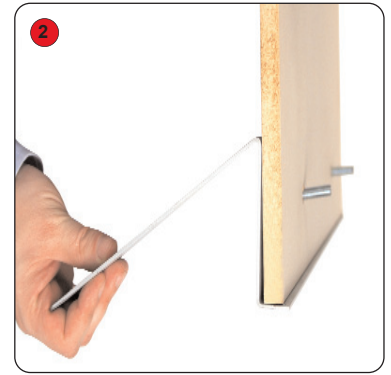
Assembly Instructions



Kit includes: 2 steel supports, M8 bolts and wing nuts



Feed each bolt through one of the steel supports



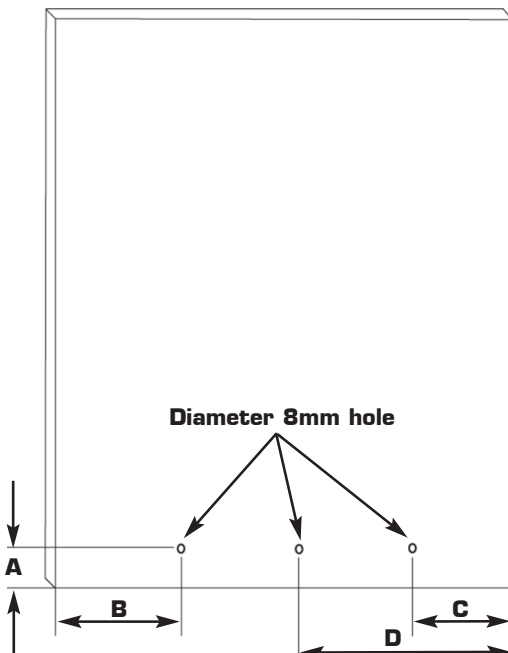
Feed the bolts through the rigid banner material



Slide the second steel support over the bolts



Secure the two supports together using the wing nuts



Rigid banner hole positioning

Width (mm)	A	B	C	D
300	42.5	100	100	-
600	42.5	150	150	-
800	42.5	150	150	400
900	42.5	100	100	450
1000	42.5	100	100	500
1200	42.5	100	100	600
1500	42.5	375	375	750

Notes:
All dimensions are in mm
Dimensions shown are to hole centres